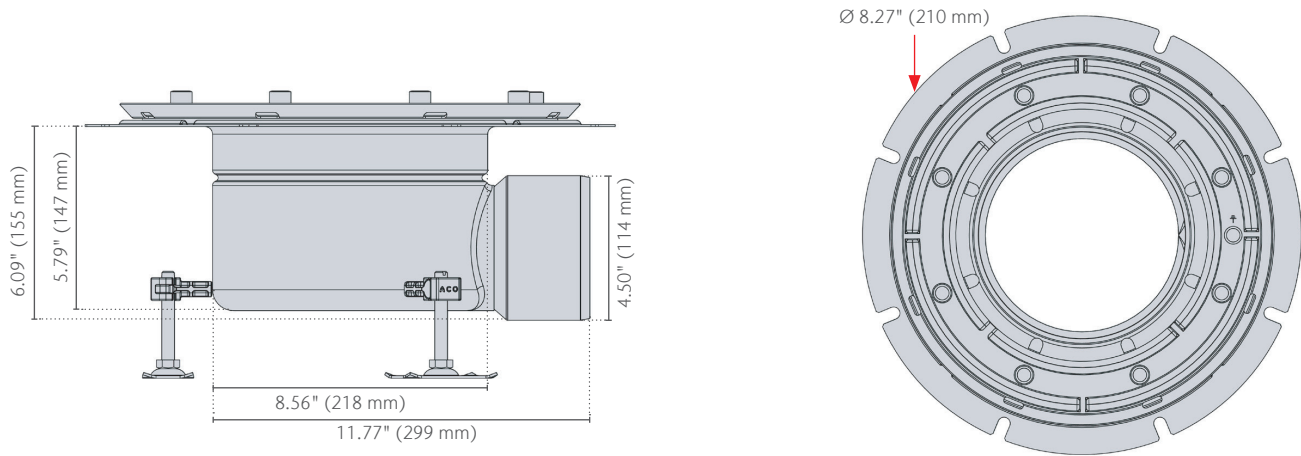


ACO FloorDrain | Hygienic Floor Drains

12" Adjustable Mech. Clamping Flang, 4" Horizontal Outlet



Product Name	Part No.	Material	Weight lbs	Flow Rate GPM
Hygienic Floor Drain, 12" Adjustable - Mech. Clamping Flange with 4" Horizontal Outlet	445163	AISI 304	12.2	117/128
	445229	AISI 316L	12.2	117/128

Specification Clause

ACO 12" Hygienic Floor Drain with 4" horizontal outlet. Made from AISI 304 or AISI 316L. Uses ACO 12" Hygienic Floor Top. Flow Rates calculated from maximum and minimum height positions. Certified to NSF/ANSI/3-A Standard 14159-1.

ACO recommends checking local plumbing codes prior to installation.

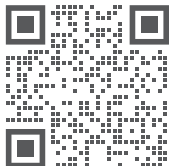


ACO is NSF/ANSI 3A 14159-1-2014 certified for its products from NSF International.

ACO, Inc.

© January 2026 ACO, Inc.

All reasonable care has been taken in compiling the information in this document. All recommendations and suggestions on the use of ACO products are made without guarantee since the conditions of use are beyond the control of the company. It is the customer's responsibility to ensure that each product is fit for its intended purpose and that the actual conditions of use are suitable. ACO, Inc. reserves the right to change products and specifications without notice.



info@acousa.com
www.acousa.com

